

Technical Product Sheet

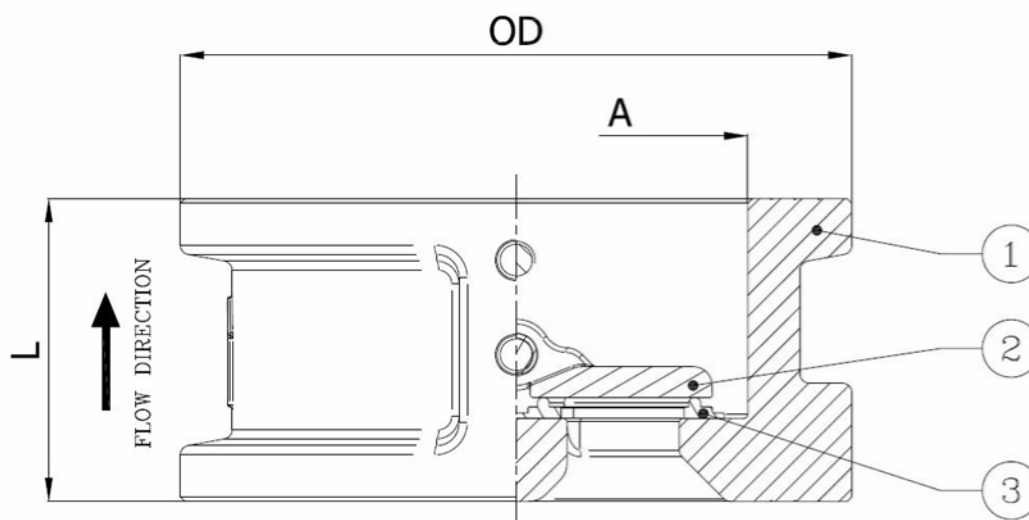
BV40-2413B-PN10/16

Duo-check valve, mounting between flanges PN10/16

Face to Face Standard: EN 558-1 series 16



Item Number	Belven Ref
402042B0050	BV40-2413B-PN16-DN050
402042B0065	BV40-2413B-PN16-DN065
402042B0080	BV40-2413B-PN16-DN080
402042B0100	BV40-2413B-PN16-DN100
402042B0125	BV40-2413B-PN16-DN125
402042B0150	BV40-2413B-PN16-DN150
402042B0200	BV40-2413B-PN16-DN200
402042B0250	BV40-2413B-PN16-DN250



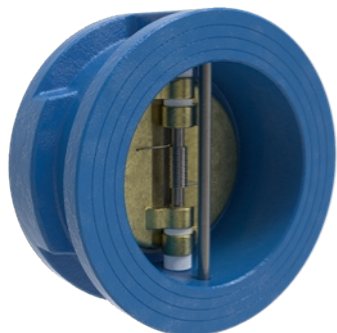
DN/Size	A	OD	L	Press.Cl.	Weight(kg)
DN50 (2")	70,5	107	43	PN16	1.70
DN65 (2 1/2")	80	127	46	PN16	2.40
DN80 (3")	94	142	64	PN16	3.30
DN100 (4")	117	162	64	PN16	4.80
DN125 (5")	145	192	70	PN16	6.50
DN150 (6")	170	218	76	PN16	9.40
DN200 (8")	221	273	89	PN16	15.50
DN250 (10")	275,5	328	114	PN16	26.00

Item 1	Item 2	Item 3
Body Material	Disc Material	Seat Material
Ductile iron : GGG40 + Epoxy coating	Alubronze C954	NBR

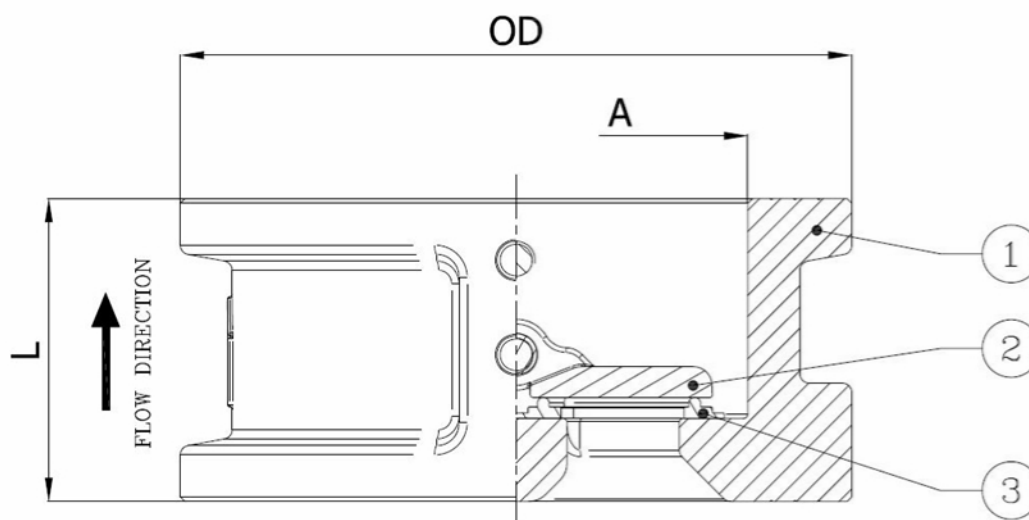
BV40-2413E-PN10

Duo-check valve, mounting between flanges PN10

Face to Face Standard: EN 558-1 series 16



Item Number	Belven Ref
402042E0300	BV40-2413E-PN10-DN300
402042E0350	BV40-2413E-PN10-DN350
402042E0400	BV40-2413E-PN10-DN400
402042E0450	BV40-2413E-PN10-DN450
402042E0500	BV40-2413E-PN10-DN500
402042E0600	BV40-2413E-PN10-DN600



DN/Size	A	OD	L	Press.Cl.	Weight(kg)
DN300 (12")	325,5	378	114	PN10	33.50
DN350 (14")	360	438	127	PN10	55.00
DN400 (16")	410	489	140	PN10	75.00
DN450 (18")	467	539	152	PN10	101.00
DN500 (20")	515	594	152	PN10	111.00
DN600 (24")	624	695	178	PN10	172.00

Item 1	Item 2	Item 3
Body Material	Disc Material	Seat Material
Ductile iron : GGG40 + Epoxy coating	Alubronze C954	EPDM